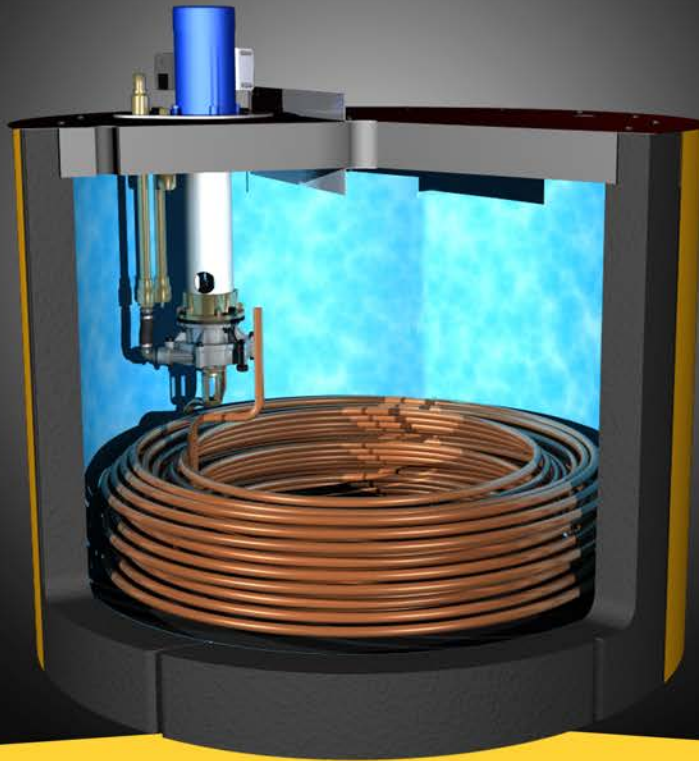


ELECTRICITY AND HOT WATER

POWERPANEL™

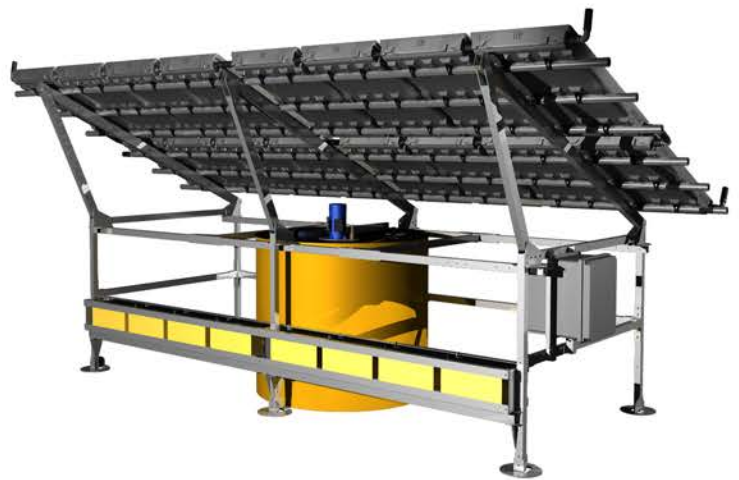


Patented
Technology

MADE
IN THE **USA** 

THERMAL EDGE™ STORAGE TANKS

Power Panel™'s patented thermal storage tanks are made out of extremely durable materials to perform with excellence in a wide variety of environments. Capable of storing fluids in a versatile temperature range of -25 to 200 degrees Fahrenheit (-32 deg C to 93 deg C) and in volumes from 280 to 1320 liters, they excel at multiple applications. One popular use is combining them with The Power Panel™ solar modules for hot water harvesting. Lightweight components and a simple, intuitive assembly process make installation a simple affair for you and your team.



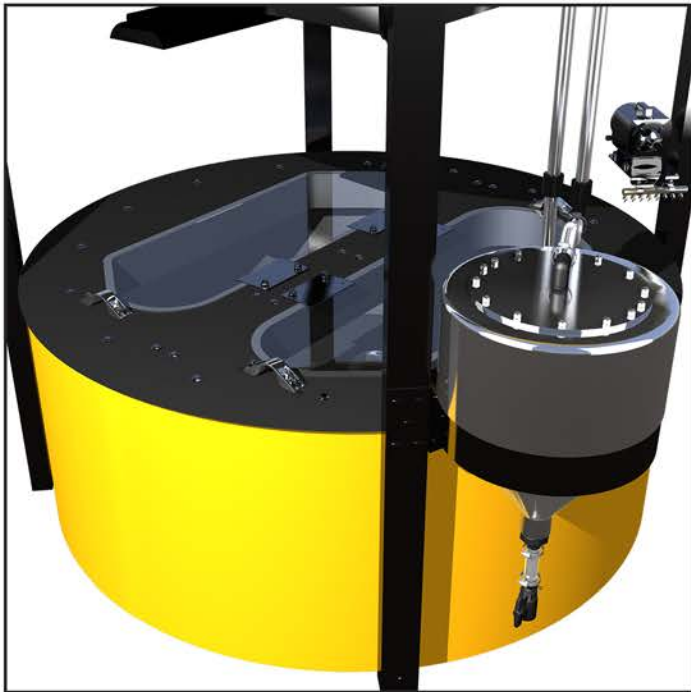
Combined with one of our turnkey systems makes this an unbeatable hybrid solar-thermal package.

The Power Panel™ module (PVT1) only, is Certified to SRCC and FSEC PV and Thermal standards.



Smart Electric
Power Alliance





Thermal Edge™ Storage

The benefits of owning a thermal tank don't stop at solar. Remote locations can combine their independent off-grid solar lifestyle with well water storage or thermal storage for a wood stove. Our top quality thermal tanks are an ideal water storage solution for bountiful fish farming and vegetable growth in aquaculture systems, like the self-sustaining setup from AquaGrove. The customizable high-temperature liner can be selected for a broad variety of liquids.

BENEFITS

- Patented design
- Wide base and robust design optimizes weight loads
- Lightweight modular design for easy installation and shipping
- Industry leading thermal storage capacity of 350 gallons (1320 litres)
- Low-transmission EPP plastic provides enhanced R-16 thermal insulation, stiffness and impact resistance resulting in higher efficiency thermal performance vs. standard tanks
- Customized, interchangeable liners allow flexible use of varying operating liquids for solutions in many industries and sectors
- Robust, recyclable materials provide long life, light weight, corrosion resistant construction with custom color availability
- A stand alone thermal (cold and hot) storage option
- Up to 6 pump modules per tank allow multiple pump to/from zones from a single tank

